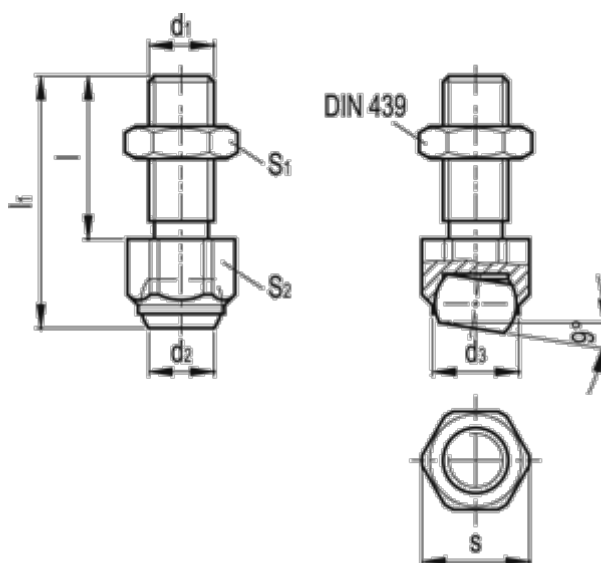


Article number: 20255405C

Description: E+G Clamping pad
GN 709.3-19-M12-B

Measures



d1	= M12	S2	= 19
d2	= 8.6	Weight (g)	= 55
d3	= 12.0		
l	= 35		
l1	= 50.7		
Max static load (KN)	= 15		
s	= 19 / 21		
S1	= 19		